

## Scandia Prince



### Info

Dining chair in laminated lacquered oak or walnut, fully coloured veneer or with light edges. Satin chrome or black bolt base. High back.

### Accessories

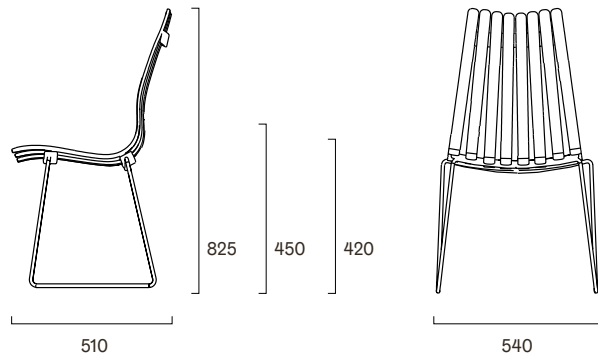
Seat cushion and plastic gliders

### Design

Hans Bratrud, 1959



## Dimensions (mm)



## Wood Colours

Walnut



Oak



White Pigmented  
Oak



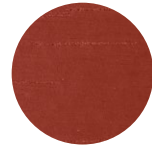
White  
NCS S 0300-N



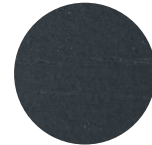
Black  
NCS S 9000-1



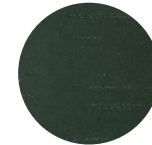
Red  
NCS S 4550-Y90R



Blue  
NCS S 8010-R90B



Green  
NCS S 8010-G10Y



Light Grey  
NCS S 2002-B



Fully Coloured

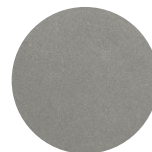


Light Edges



## Base Colours

Satin Chrome



Black Coated  
RAL 9005

